

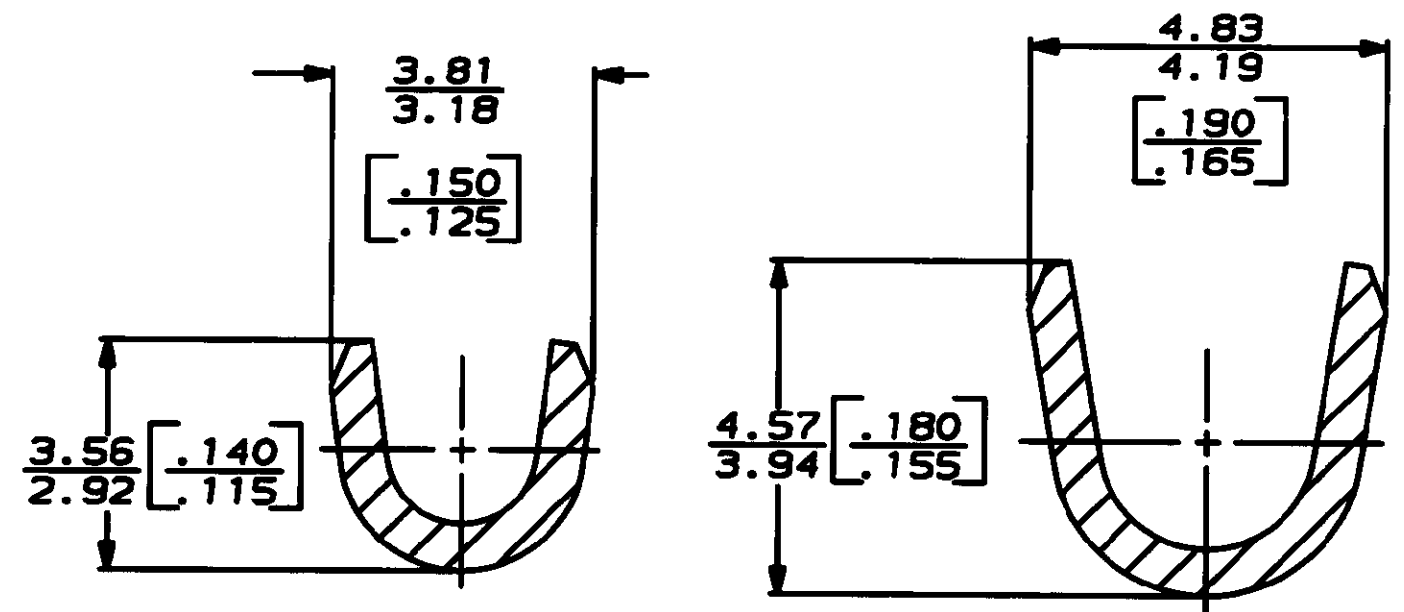
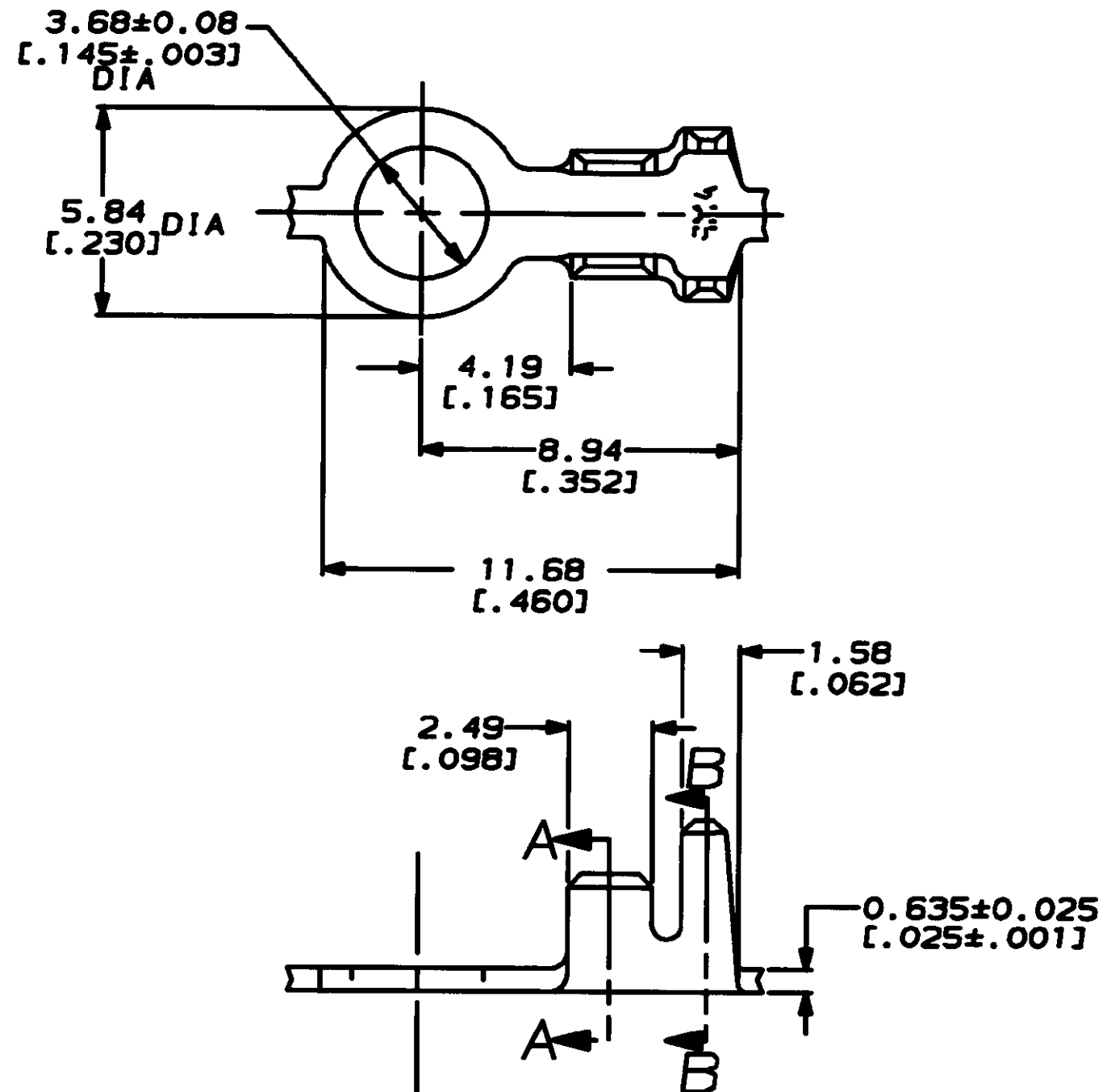
DRAWING MADE IN THIRD ANGLE PROJECTION

THIS DRAWING IS UNPUBLISHED. RELEASED FOR PUBLICATION, 19

© COPYRIGHT 19 BY AMP INCORPORATED. ALL INTERNATIONAL RIGHTS RESERVED.

LOC	DIST	P	F	ZONE	LTR	DESCRIPTION	DATE	APPD
AF	50				B	REDRAWN PER 0054-94	2/10/94	PF/JR

1 CONTINUOUS STRIP ON REELS



2.29-3.05 [.090-.120] DIA		20-16 AWG	61764-1
INSULATION RANGE		WIRE SIZE	PART NO
DO NOT SCALE PRINT. UNLESS SPECIFIED DIMENSIONS IN IN (INCHES) TOLERANCES ON: 2 PLC DEC = 0.25 LOUW 3 PLC DEC = - ANGLES = -		AMP AMP INCORPORATED Harrisburg, Pa. 17108	
DR 2/16/94 PULLIP R PERREY CHK 2/16/94 APPD 2/16/94 APPD 2/16/94 PRODUCT SPEC -		NAME RING	
MATERIAL 082 BRASS		SIZE B	CASE CODE 00779
FINISH -		DRAWING NO 61764	SHEET 1 OF 1
APPLICATION SPEC -		SCALE 6:1	SHEET 1 OF 1
WEIGHT -			